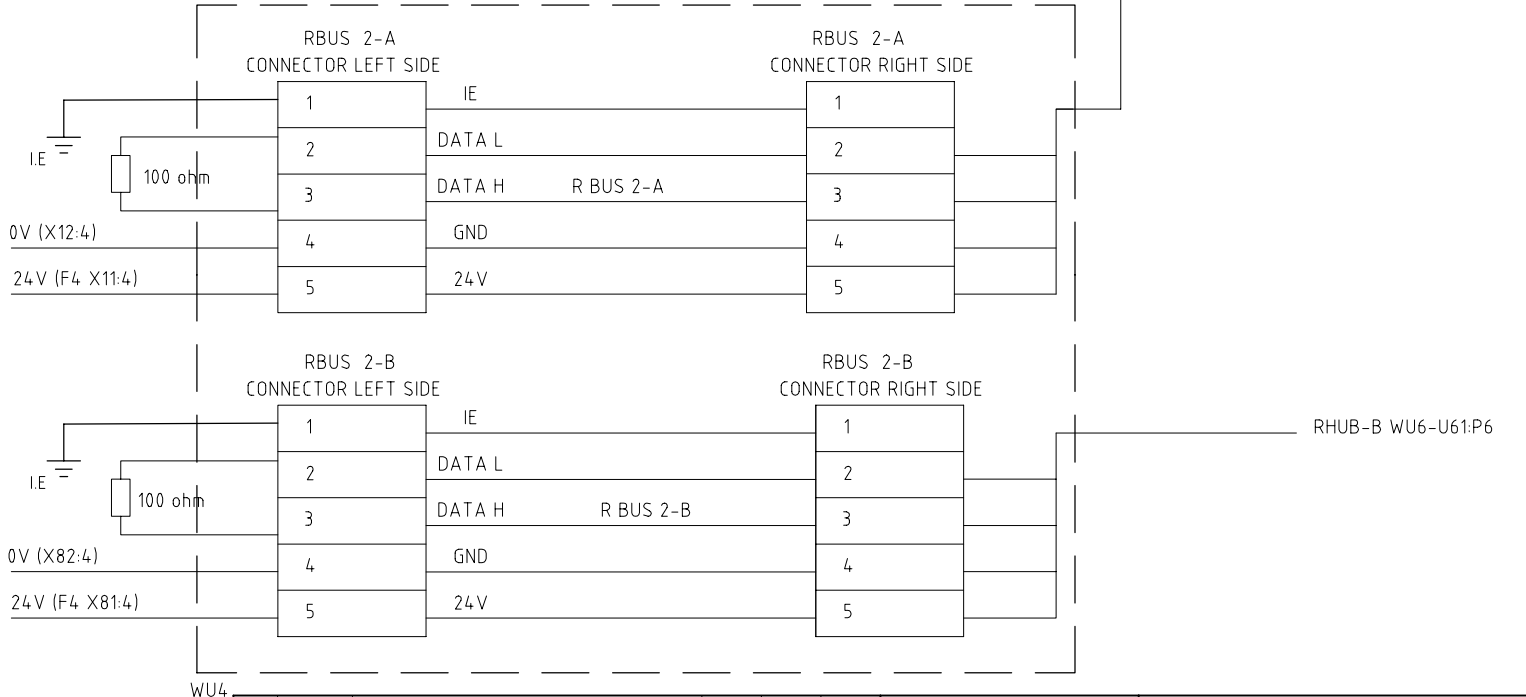
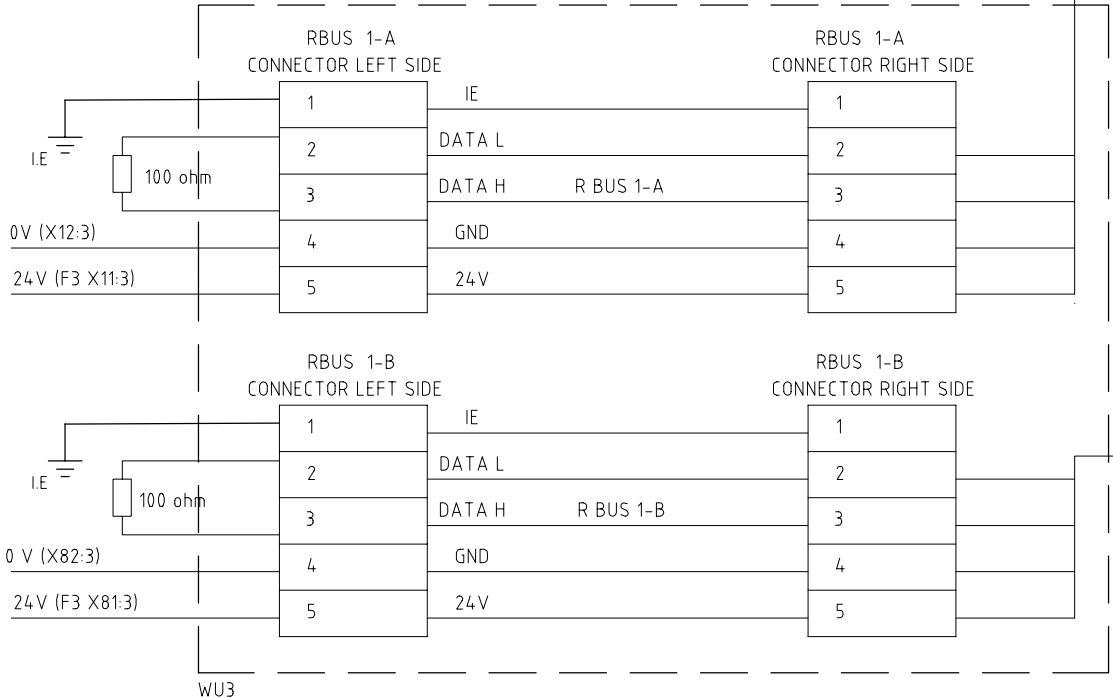
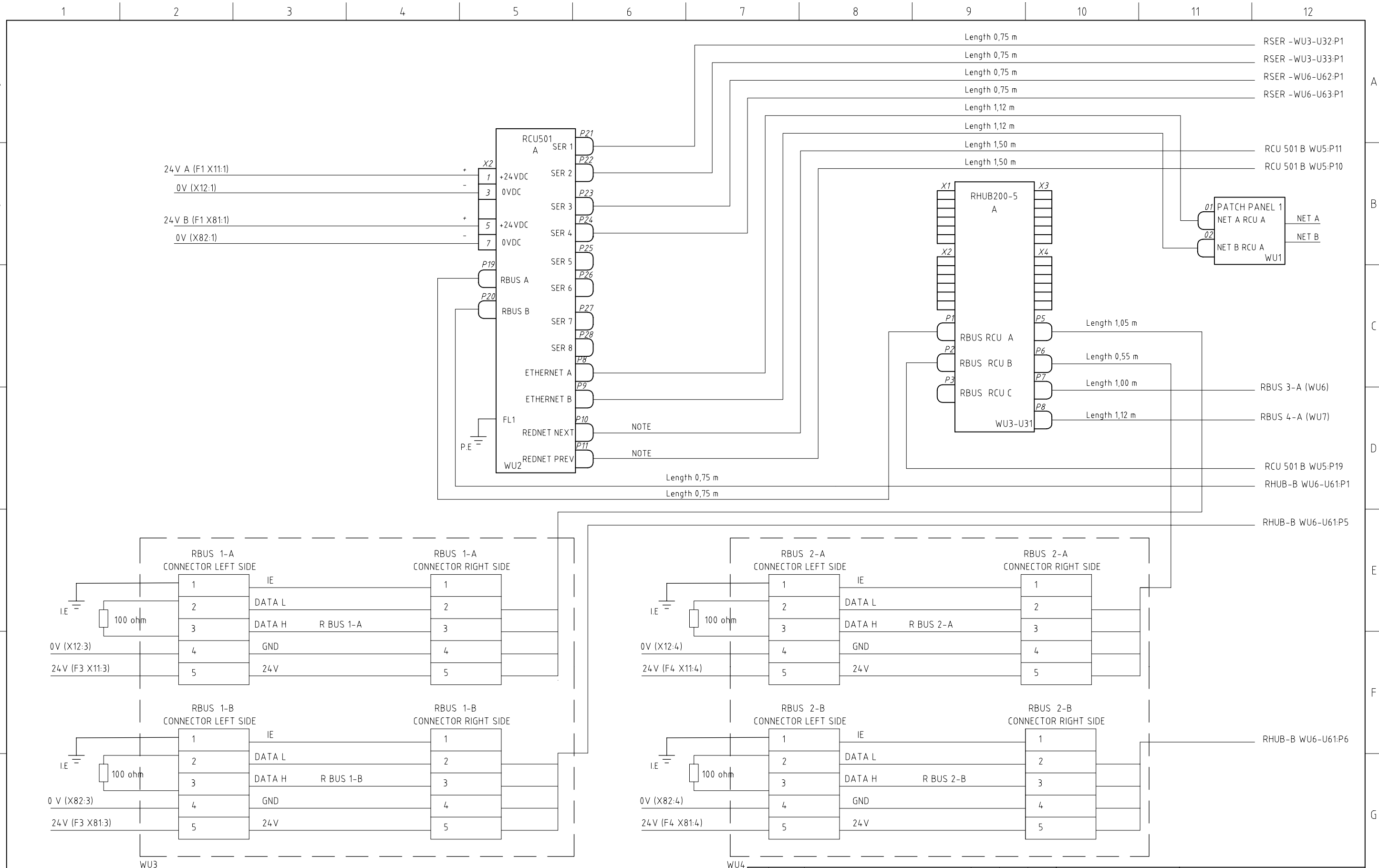


The copyright of this drawing and of all annexes which are entrusted to a person's care always remain the property of Kongsberg Maritime AS. They must not be copied or duplicated nor shown to or placed at the disposal of third persons without our written consent.



MARKINGS:
 ALL CONNECTORS, CABLES & COMPONENTS SHOULD BE MARKED
 IN ACCORDANCE WITH: MARKING & LABELLING SPECIFICATION, 848-161013
 NOTE: P10+P11: ART.NO 306097

								PROJECT NAME BASIS	
						KONGSBERG Kongsberg Maritime AS		DRAWING TITLE Power & Wiring Diagram RBUS, A-Section of Cabinet DPC-2	
						- AT A3		DRAWING NO. 1013589	
						SCALE SIZE		BASIS <input checked="" type="checkbox"/> CUSTOM SPEC.	
						1 OF 1		SHEET REV.	
REV.	DATE	REASON FOR ISSUE	PREP.	CHECK.	APPR.	DRAWING ID.			
C	12.06.07	Updated drawing	TN	AG	EB				
B	25.10.06	As Built	CJ	AG	EB				
A	14.03.06	First Issue	CJ	DEW	EB				