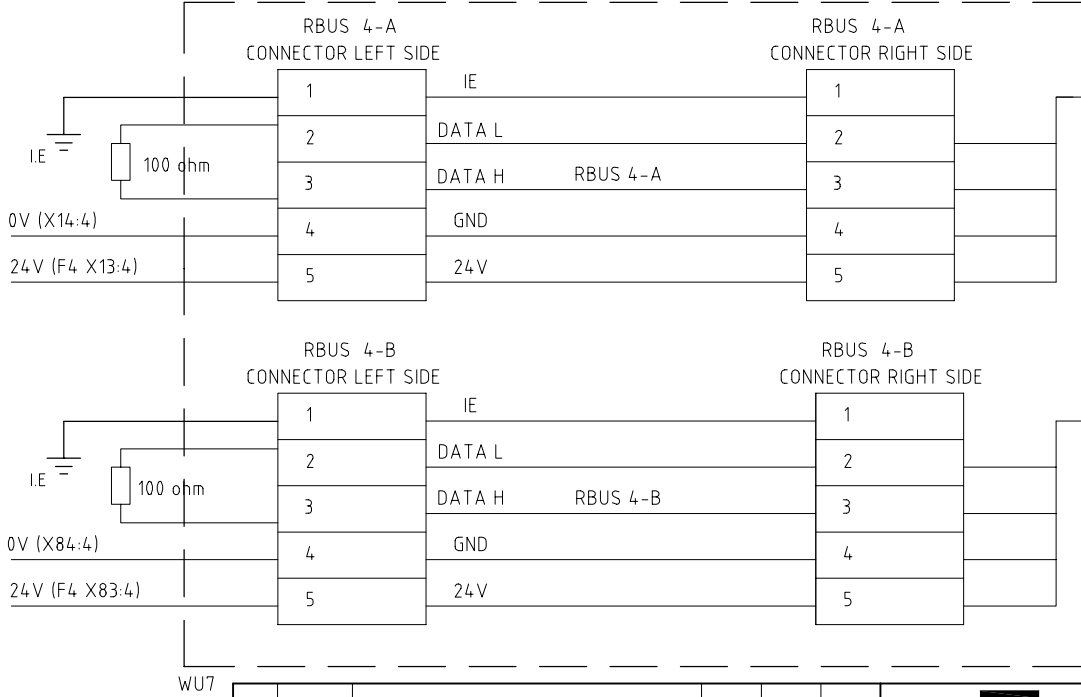
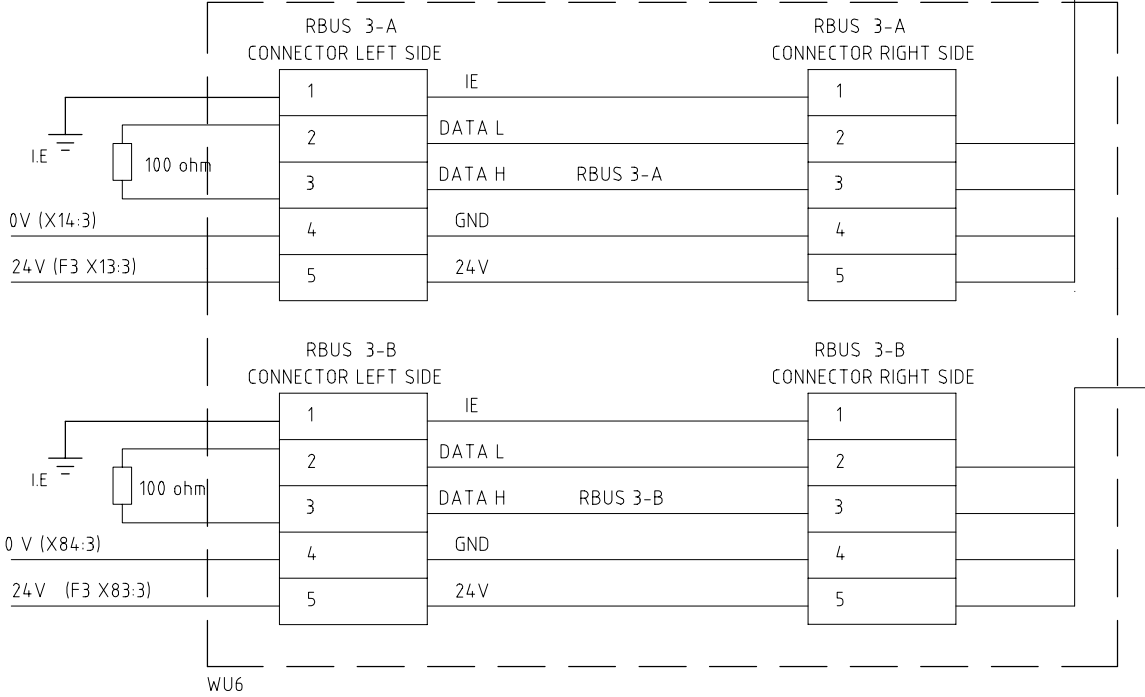
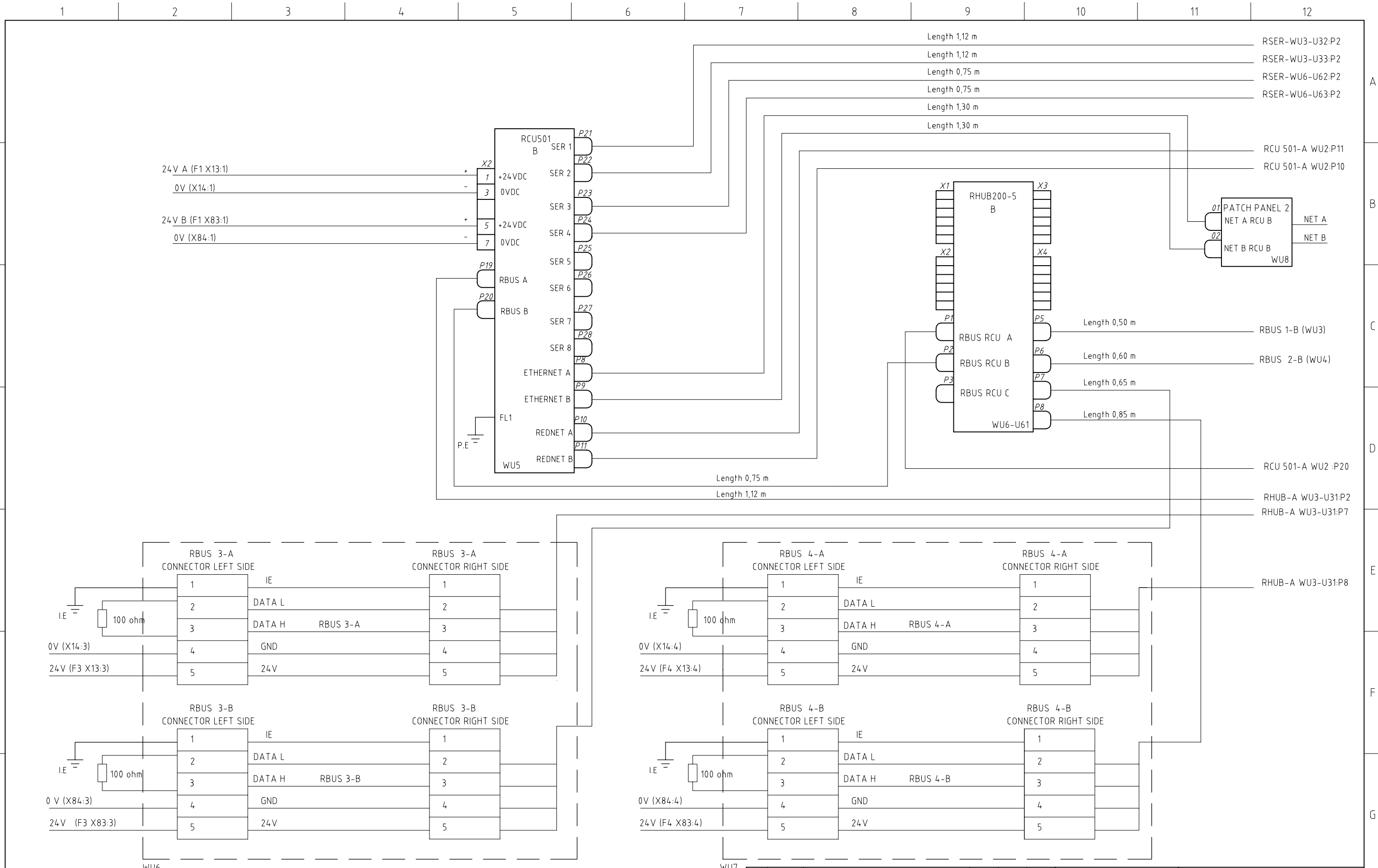


The copyright of this drawing and of all annexes which are entrusted to a person's care always remain the property of Kongsberg Maritime AS. They must not be copied or duplicated nor shown to or placed at the disposal of third persons without our written consent.



MARKINGS:  
ALL CONNECTORS, CABLES & COMPONENTS SHOULD BE MARKED  
IN ACCORDANCE WITH: MARKING & LABELLING SPECIFICATION, 84-8-161013

						PROJECT NAME																													
						BASIS																													
						DRAWING TITLE																													
						Power & Wiring Diagram RBUS_B-Section of Cabinet DPC-2																													
<table border="1"> <tr> <th>REV.</th> <th>DATE</th> <th>REASON FOR ISSUE</th> <th>PREP.</th> <th>CHECK.</th> <th>APPR.</th> <th>DRAWING ID.</th> </tr> <tr> <td>C</td> <td>12.06.07</td> <td>Updated drawing</td> <td>TN</td> <td>AG</td> <td>EB</td> <td></td> </tr> <tr> <td>B</td> <td>25.10.06</td> <td>As Built</td> <td>CJ</td> <td>AG</td> <td>EB</td> <td></td> </tr> <tr> <td>A</td> <td>14.03.06</td> <td>First Issue</td> <td>CJ</td> <td>DEW</td> <td>EB</td> <td></td> </tr> </table>						REV.	DATE	REASON FOR ISSUE	PREP.	CHECK.	APPR.	DRAWING ID.	C	12.06.07	Updated drawing	TN	AG	EB		B	25.10.06	As Built	CJ	AG	EB		A	14.03.06	First Issue	CJ	DEW	EB		DRAWING NO.	
						REV.	DATE	REASON FOR ISSUE	PREP.	CHECK.	APPR.	DRAWING ID.																							
C	12.06.07	Updated drawing	TN	AG	EB																														
B	25.10.06	As Built	CJ	AG	EB																														
A	14.03.06	First Issue	CJ	DEW	EB																														
<table border="1"> <tr> <td>SCALE</td> <td>SIZE</td> <td></td> <td></td> </tr> <tr> <td></td> <td></td> <td></td> <td></td> </tr> </table>						SCALE	SIZE							BASIS <input checked="" type="checkbox"/> CUSTOM SPEC.																					
						SCALE	SIZE																												
<table border="1"> <tr> <td>1 OF 1</td> <td>C</td> </tr> <tr> <td>SHEET</td> <td>REV.</td> </tr> </table>						1 OF 1	C	SHEET	REV.	1013590																									
						1 OF 1	C																												
SHEET	REV.																																		
<table border="1"> <tr> <td>1</td> <td>2</td> <td>3</td> <td>4</td> <td>5</td> <td>6</td> <td>7</td> <td>8</td> <td>9</td> <td>10</td> <td>11</td> <td>12</td> </tr> <tr> <td>A</td> <td>B</td> <td>C</td> <td>D</td> <td>E</td> <td>F</td> <td>G</td> <td>H</td> <td></td> <td></td> <td></td> <td></td> </tr> </table>						1	2	3	4	5	6	7	8	9	10	11	12	A	B	C	D	E	F	G	H					1 OF 1					
						1	2	3	4	5	6	7	8	9	10	11	12																		
A	B	C	D	E	F	G	H																												
<table border="1"> <tr> <td>1</td> <td>2</td> <td>3</td> <td>4</td> <td>5</td> <td>6</td> <td>7</td> <td>8</td> <td>9</td> <td>10</td> <td>11</td> <td>12</td> </tr> <tr> <td>A</td> <td>B</td> <td>C</td> <td>D</td> <td>E</td> <td>F</td> <td>G</td> <td>H</td> <td></td> <td></td> <td></td> <td></td> </tr> </table>						1	2	3	4	5	6	7	8	9	10	11	12	A	B	C	D	E	F	G	H					1 OF 1					
						1	2	3	4	5	6	7	8	9	10	11	12																		
A	B	C	D	E	F	G	H																												
<table border="1"> <tr> <td>1</td> <td>2</td> <td>3</td> <td>4</td> <td>5</td> <td>6</td> <td>7</td> <td>8</td> <td>9</td> <td>10</td> <td>11</td> <td>12</td> </tr> <tr> <td>A</td> <td>B</td> <td>C</td> <td>D</td> <td>E</td> <td>F</td> <td>G</td> <td>H</td> <td></td> <td></td> <td></td> <td></td> </tr> </table>						1	2	3	4	5	6	7	8	9	10	11	12	A	B	C	D	E	F	G	H					1 OF 1					
						1	2	3	4	5	6	7	8	9	10	11	12																		
A	B	C	D	E	F	G	H																												
<table border="1"> <tr> <td>1</td> <td>2</td> <td>3</td> <td>4</td> <td>5</td> <td>6</td> <td>7</td> <td>8</td> <td>9</td> <td>10</td> <td>11</td> <td>12</td> </tr> <tr> <td>A</td> <td>B</td> <td>C</td> <td>D</td> <td>E</td> <td>F</td> <td>G</td> <td>H</td> <td></td> <td></td> <td></td> <td></td> </tr> </table>						1	2	3	4	5	6	7	8	9	10	11	12	A	B	C	D	E	F	G	H					1 OF 1					
						1	2	3	4	5	6	7	8	9	10	11	12																		
A	B	C	D	E	F	G	H																												