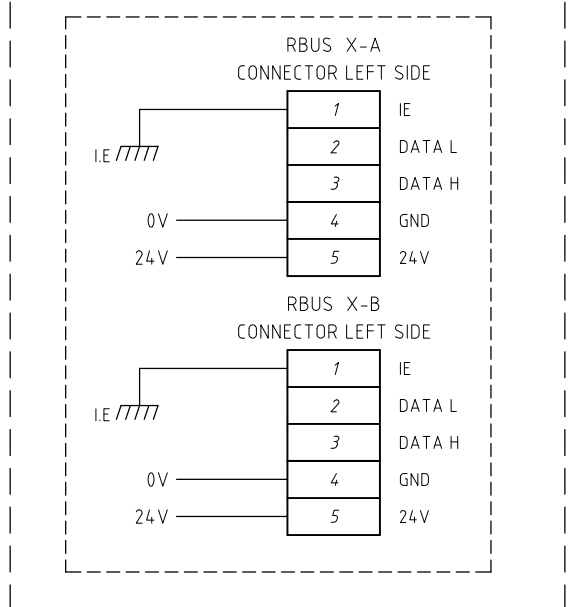
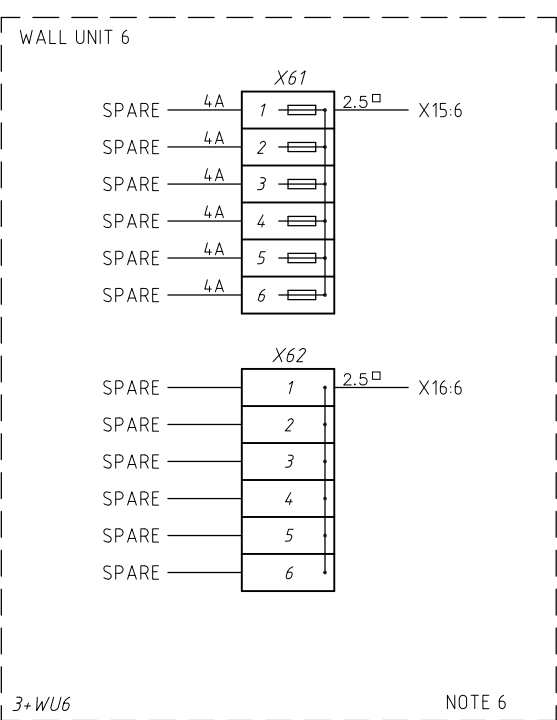
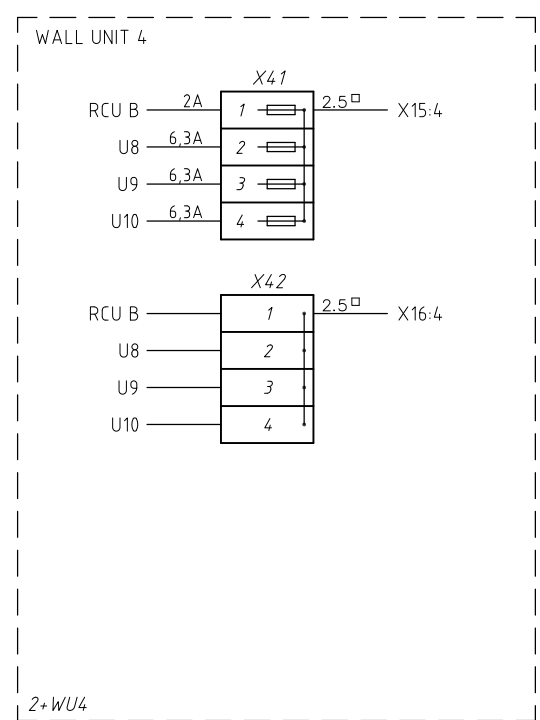
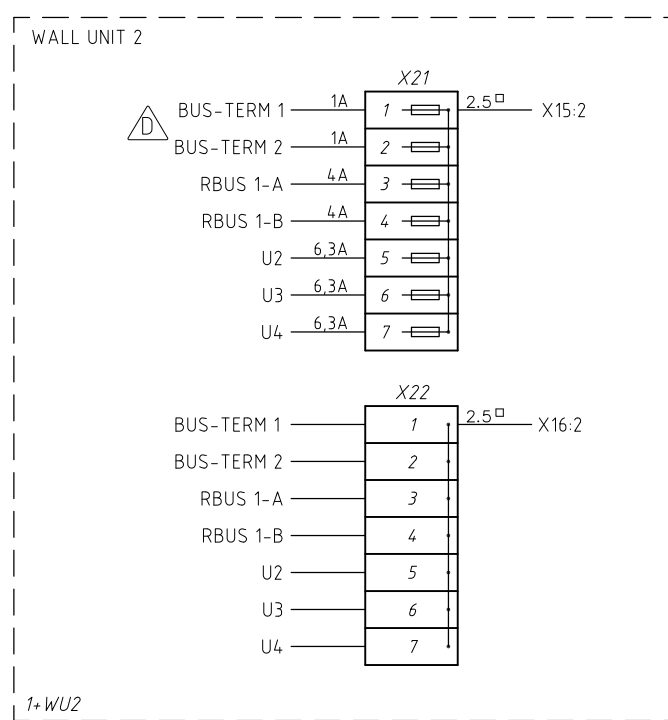
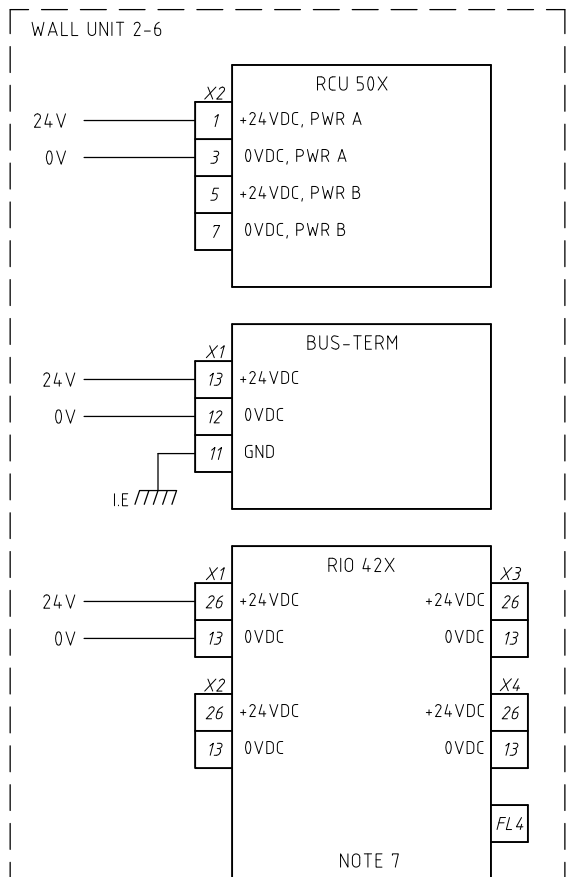
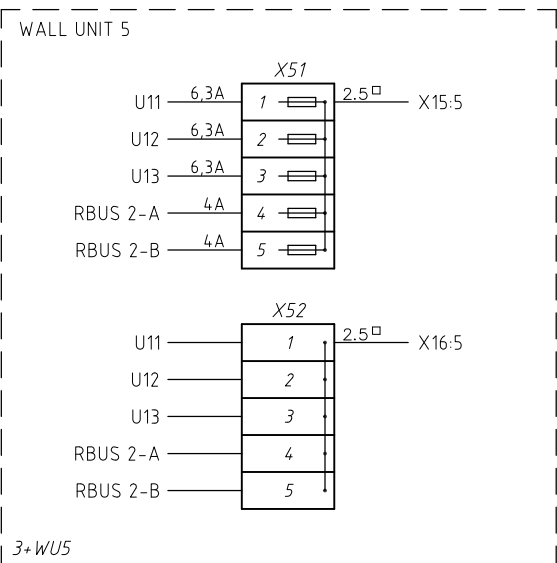
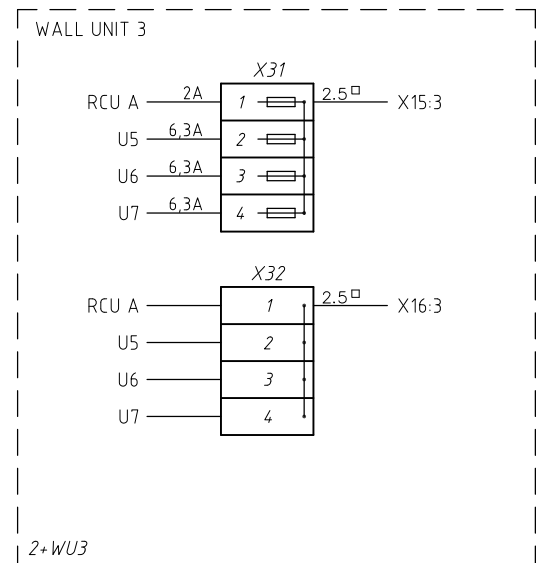
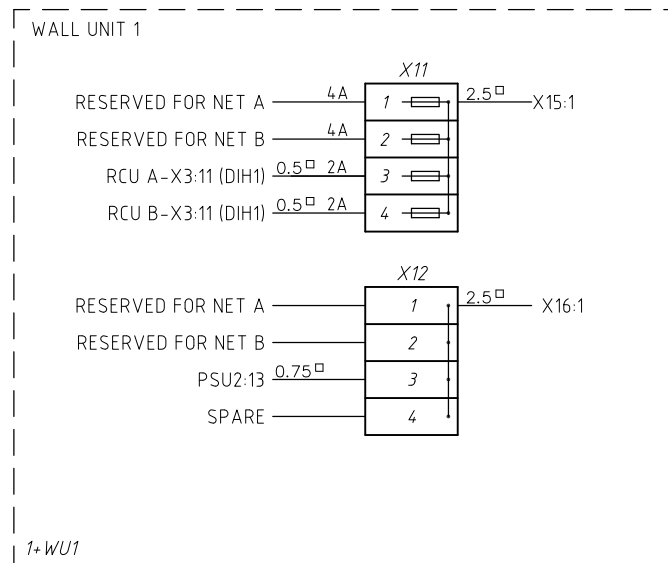


The copyright of this drawing and of all annexes which are entrusted to a person's care always remain the property of Kongsberg Maritime AS. They must not be copied or duplicated nor shown to or placed at the disposal of third persons without our written consent.



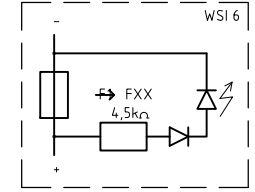
NOTE 5: POWER CONNECTION TO ALL UNITS ACCORDING TO CABINET LAYOUT (U2, U3..U12,U13) CORES TO BE TERMINATED IN TERMINAL BLOCK

NOTE 6: LABELS FOR X61 AND X62, TO BE DELIVERED WITH THE CABINET.

NOTE 7: WHEN USING RIO40XS, POWER CONSUMPTION MUST BE TAKEN INTO CONSIDERATION. TERMINAL BLOCKS FOR ±24V TO BE EXTENDED.

WIRINGS:
 IF NOT OTHERWISE SPECIFIED ALL WIRINGS ARE 1.5mm²
WIRING COLOURS:
 RED : POS. VOLTAGE
 BL : NEG. VOLTAGE
 BK : 0-VOLTAGE

DETAILS OF TERMINATION BLOCK WITH FUSE.



							PROJECT NO	
					Kongsberg Maritime AS		Basis Drawing	
					- AT A3		DRAWING TITLE	
							Power and Wiring Diagram	
					SCALE SIZE		FS-400 RBUS	
					CUSTOMER DOC. NO		DRAWING NO.	
					REV. DATE REASON FOR ISSUE		323448	
					PREP. CHECK. APPR.		BASIS X CUSTOM SPEC.	
					SCALE SIZE		2 OF 2	
					CUSTOMER DOC. NO		D	