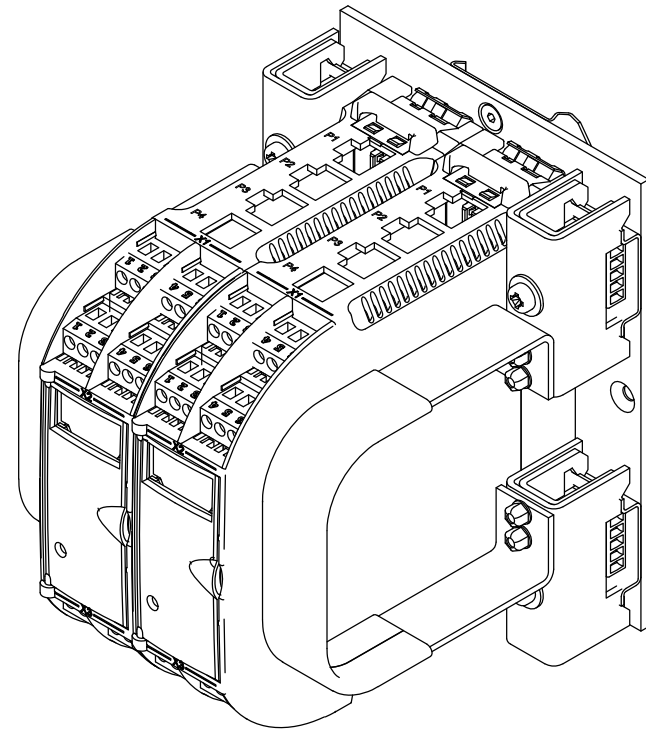
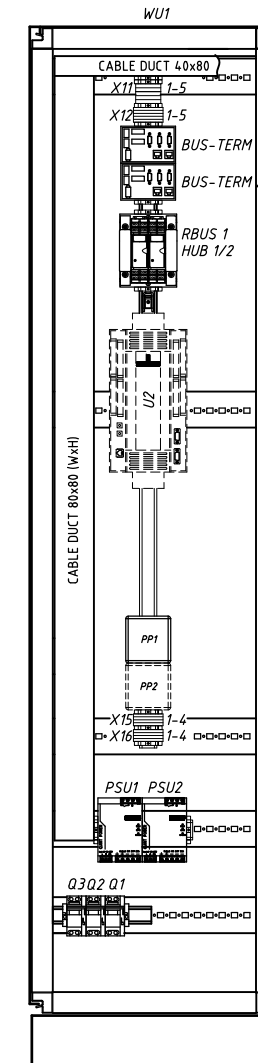


KIT ASSEMBLY

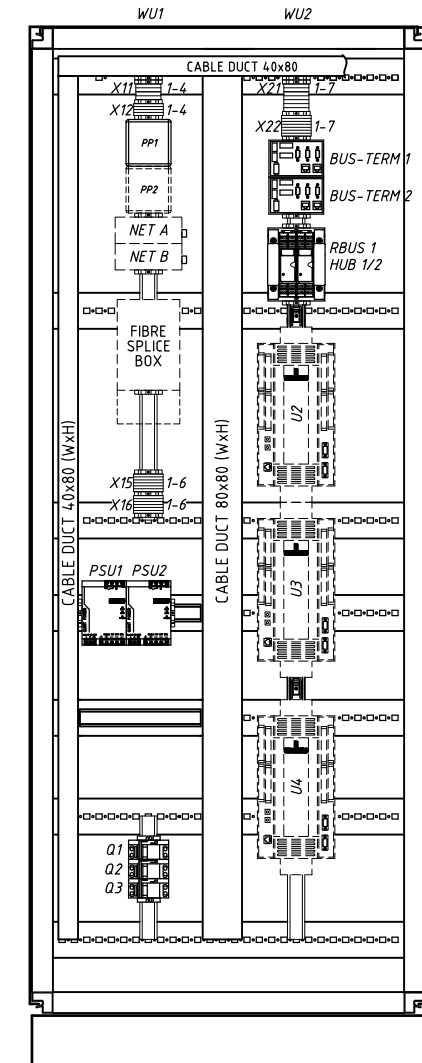



RECOMMENDED LOCATION OF RHUB KIT

FS-240  
LEFT HAND SIDE



FS-400  
LEFT HAND SIDE



B	08.03.2010	Changes in sheet 1. New drawing template	EE	HCH	PGE
A	05.12.2008	First issue	EE	SG	AMK
Rev.	Date	Description	Designed by	Checked by	Approved by
 <b>Kongsberg Maritime AS</b> Automation Kongsberg		Title R-Hub for redundant RCU FS-240 / FS-400			Sheet 2/2
Project / Product name K-Chief 700		Project number Basis	Drawing type Power and Wiring diagram		Size A3
The reproduction, distribution and utilization of this document as well as the communication of its contents to others without express authorization is prohibited. Offenders will be held liable for the payment of damages. All rights reserved in the event of grant of a patent, utility model or design. © Kongsberg Maritime 2009			Document ID <b>328894</b>		Scale Revision <b>B</b>