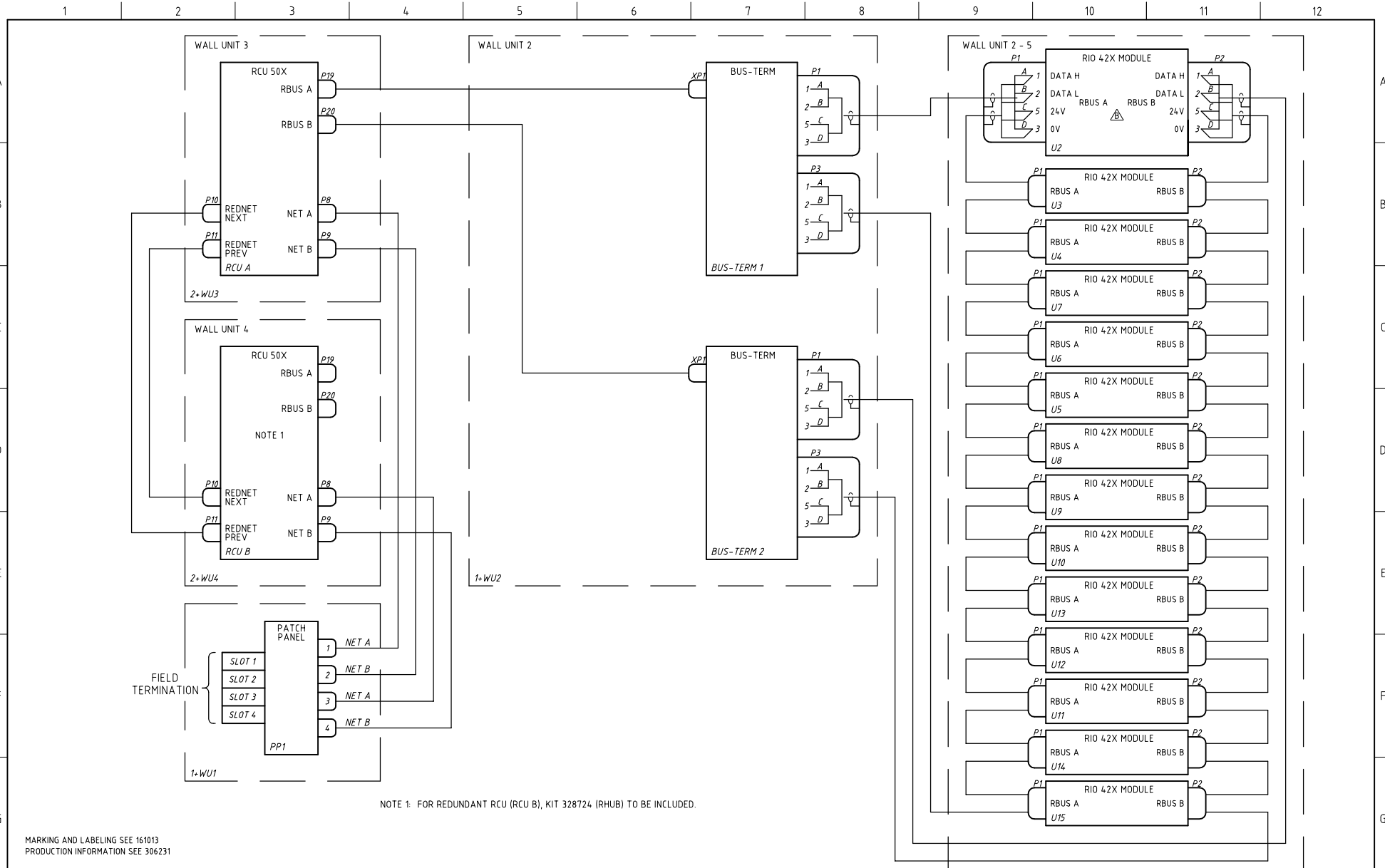



The copyright of this drawing and of all annexes which are entrusted to a person's care always remain the property of Kongsberg Maritime AS. They must not be copied or duplicated nor shown to or placed at the disposal of third persons without our written consent.



NOTE 1: FOR REDUNDANT RCU (RCU B), KIT 328724 (RHUB) TO BE INCLUDED.

MARKING AND LABELING SEE 161013
PRODUCTION INFORMATION SEE 306231

WIRINGS:
IF NOT OTHERWISE SPECIFIED
ALL WIRINGS ARE 15mm²
WIRING COLOURS:
RED : POS. VOLTAGE
BL : NEG. VOLTAGE
BK : 0-VOLTAGE

				 KONGSBERG Kongsberg Maritime AS		PROJECT NO Basis Drawing	
						DRAWING TITLE Wiring Diagram FS-400 RBUS	
						DRAWING NO. 323449	
						1 of 1 B	
B	23.02.09	Updated to RBUS A/B on U2	A.S.	S.G.	A.M.K.	- AT A3	
A	30.06.08	First Issue	A.S.	R.O.H.	A.M.K.	SCALE SIZE	
REV.	DATE	REASON FOR ISSUE	PREP.	CHECK	APPR.	CUSTOMER DOC NO	
						BASIS <input checked="" type="checkbox"/> CUSTOM SPEC. SHEET REV.	