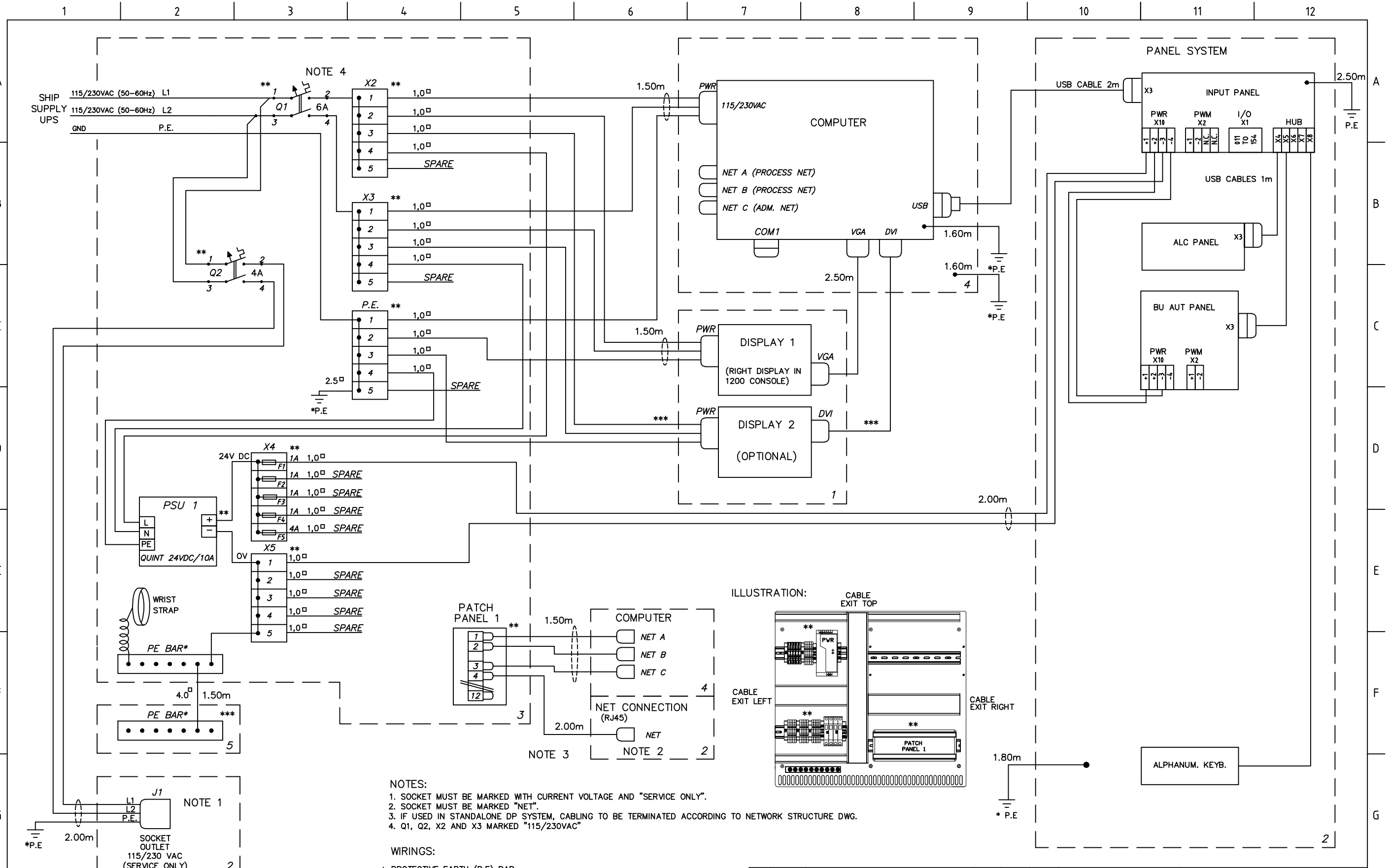


The copyright of this drawing and of all annexes which are entrusted to a person's care always remain the property of Kongsberg Maritime AS. They must not be copied or duplicated nor shown to or placed at the disposal of third persons without our written consent.

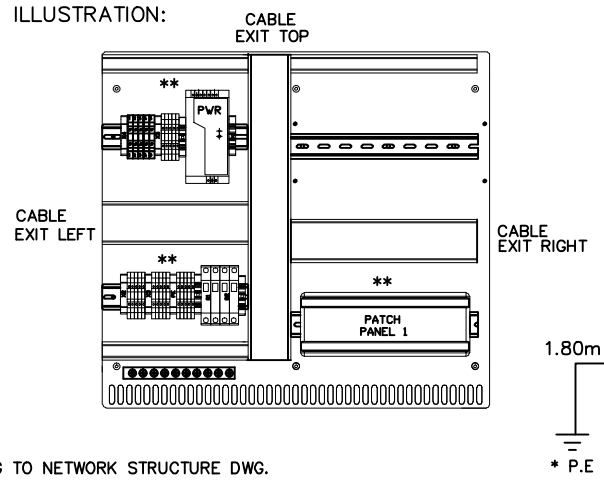


- NOTES:**
1. SOCKET MUST BE MARKED WITH CURRENT VOLTAGE AND "SERVICE ONLY".
 2. SOCKET MUST BE MARKED "NET".
 3. IF USED IN STANDALONE DP SYSTEM, CABLING TO BE TERMINATED ACCORDING TO NETWORK STRUCTURE DWG.
 4. Q1, Q2, X2 AND X3 MARKED "115/230VAC"

- WIRINGS:**
- * PROTECTIVE EARTH (P.E) BAR IS LOCATED ON REAR MOUNTING PLATE IN PILLAR SECTION. P.E. BAR TO BE CONNECTED TO SHIP GROUND
 - ** INDICATES UPPER SIDE OF TERMINAL/UNIT
 - *** IF SPECIFIED IN PARTLIST

- ALL WIRINGS ARE 1.5mm² IF NOT OTHERWISE SPECIFIED**
- WIRING COLOURS:**
- RD : POS. VOLTAGE
 - BL : NEG. VOLTAGE
 - BK : 0-VOLTAGE
 - YL/RD: I.E
 - YL/GN: P.E.

- MARKINGS:**
- ALL CONNECTORS, CABLES & COMPONENTS SHOULD BE MARKED IN ACCORDANCE WITH: MARKING & LABELLING SPECIFICATION, 848-161013



LOCATION CODE TABLE

CODE	EQUIPMENT NAME	FROM LOCATION 3 USE:
1	DISPLAY SECTION	CABLE EXIT TOP
2	PANEL SECTION	CABLE EXIT TOP
3	REAR MOUNTING PLATE IN PILLAR SECTION	N/A
4	DOOR SECTION	CABLE EXIT LEFT
5	RIGHT MOUNTING PLATE IN PILLAR SECTION	CABLE EXIT RIGHT

						PROJECT NAME	
						KM-05	
				KONGSBERG Kongsberg Maritime AS		DRAWING TITLE	
						Power and Wiring Diagram K-Chief OS Deep Line/Built-in, KM-05	
						DRAWING NO.	
						313489	
				- At A3		1 of 1	
						B	
B	20.08.09	Changed PSU1 to Quint Power 10A	RR	VD	EB		
A	13.06.07	First Issue	EH	DEW	ROH		
REV. DATE REASON FOR ISSUE			PREP.	CHECK.	APPR.	SCALE	SIZE
			DRAWING ID.				
						BASIS	CUSTOM SPEC.
						SHEET	
						REV.	