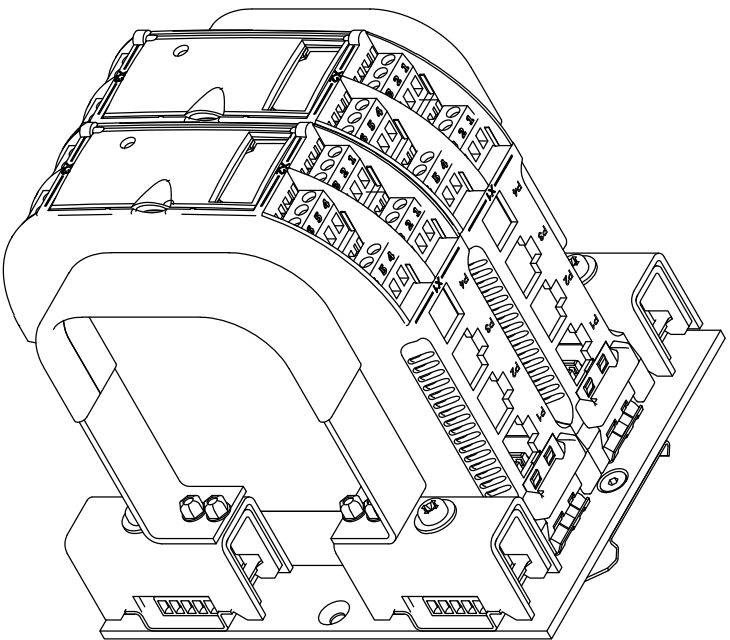


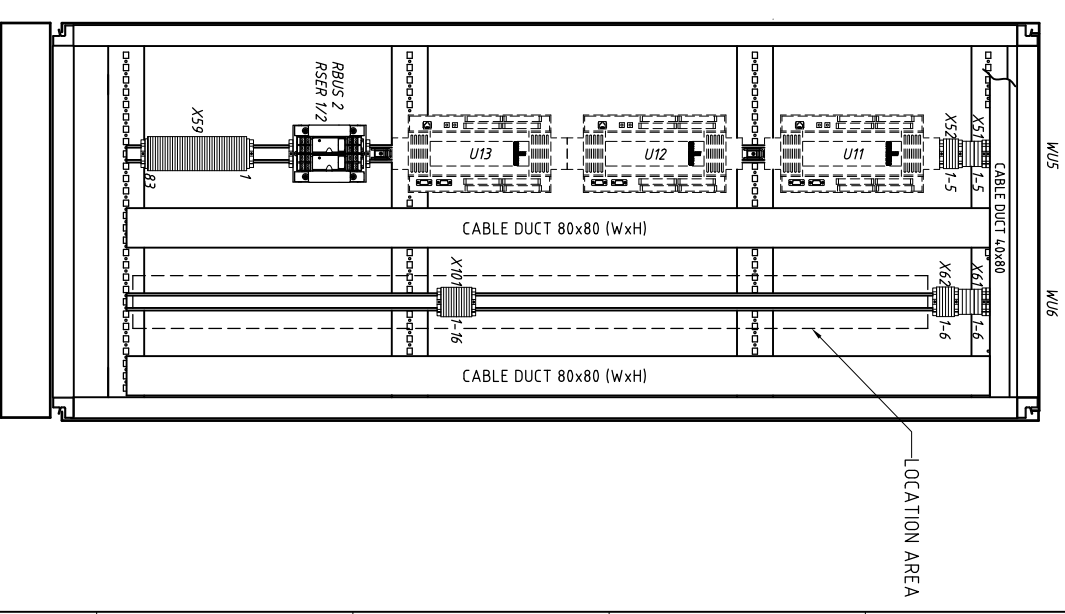
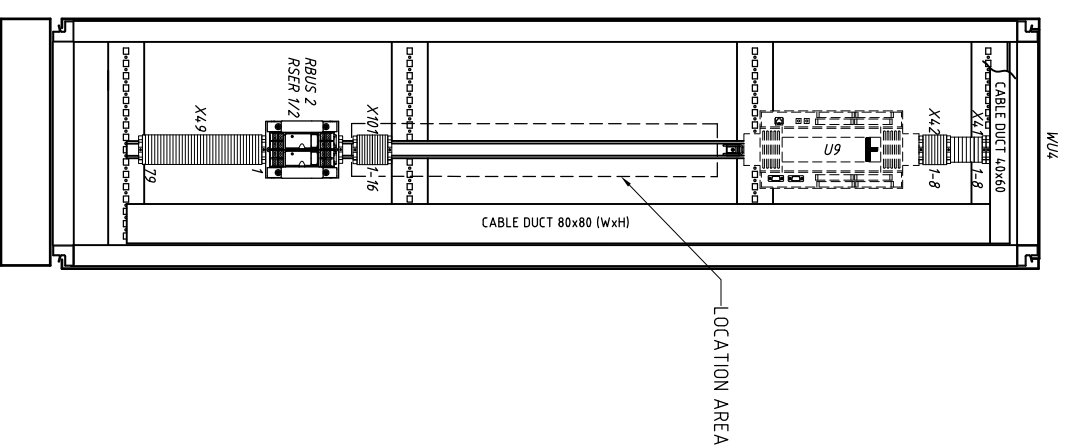
KIT ASSEMBLY



RECOMMENDED LOCATION OF RSE200/RS-485 KIT

FS-240
 RIGHT HAND SIDE
 3

FS-400
 RIGHT HAND SIDE
 3



REV	DATE	REASON FOR ISSUE	PREP	CHECK	APPR	CUSTOMER DOC. NO.	PROJECT NO.	DRAWING TITLE	BASIS	SHEET	REV
B	04.06.10	Power connection on sheet 1	EE	HCH	PGE	AT A3	KONGSBERG Kongsberg Maritime AS	Power and Wiring Diagram Emech. with 2x RSE200/RS-485 FS-240/FS-400 with R-Bus	X CUSTOM SPEC	2	B
A	07.10.08	First Issue	EE	TF	AMK	SCALE				327421	2