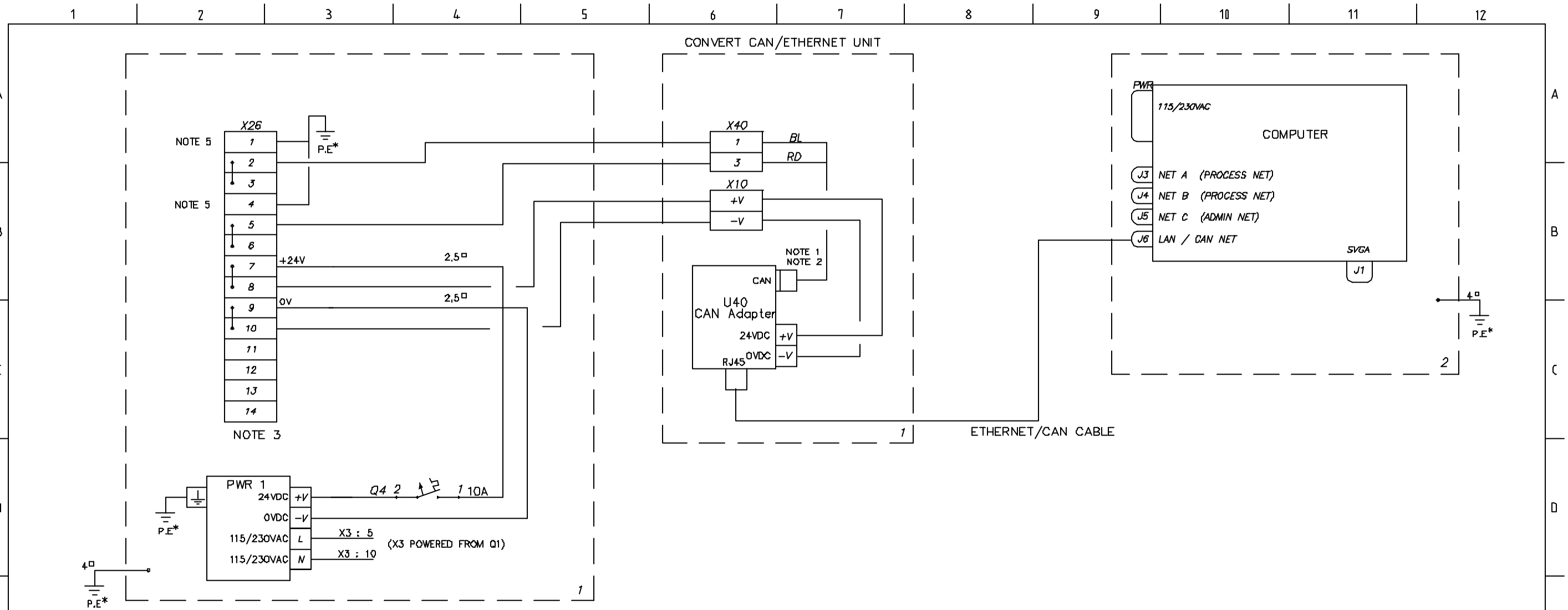


The copyright of this drawing and of all annexes which are entrusted to a person's care always remain the property of Kongsberg Maritime AS. They must not be copied or duplicated nor shown to or placed at the disposal of third persons without our written consent.



WIRINGS:

* PROTECTIVE EARTH (P.E) TERMINATION BLOCK IS LOCATED ON BOTTOM MOUNTING PLATE IN PILLAR SECTION.

ALL WIRINGS ARE 1.5mm IF NOT OTHERWISE SPECIFIED

WIRING COLOURS:

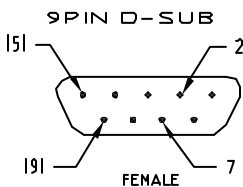
- RD : POS. VOLTAGE
- BL : NEG. VOLTAGE
- BK : 0-VOLTAGE
- YL/RD: I.E
- YL/GR: P.E.

MARKINGS:

ALL CONNECTORS, CABLES & COMPONENTS SHOULD BE MARKED IN ACCORDANCE WITH: MARKING & LABELLING SPECIFICATION, B48-161013

NOTES:

1. 8PIN D-SUB FEMALE PLUG FROM CAN ADAPTER TO TERMINALS IS PART OF DELIVERY. PIN 2 AND 7 TO BE USED IN CABLE. RESISTOR 120 OHM IS INCLUDED IN PLUG.



2. RESISTOR 120 OHM TO BE REMOVED IN OS NO. 1
3. TERMINAL BLOCKS X26 1-6 : WEIDMULLER WDU 2,5
- TERMINAL BLOCKS X26 7-14 : WEIDMULLER WDU 6
4. RESISTOR 120 OHM MUST BE INCLUDED IN LAST WATCH CALL.
5. FIELD CABLE SCREEN TO BE TERMINATED IN TERMINAL X26 NO. 1 AND 4.

LOCATION CODE TABLE BUILT IN, OS

CODE	EQUIPMENT NAME
1	MOUNTING PLATE
2	COMPUTER SECTION

LOCATION CODE TABLE CONSOLE OS

CODE	EQUIPMENT NAME
1	MOUNTING PLATE SIDE IN PILLAR SECT.
2	DOOR SECTION

				 KONGSBERG Kongsberg Maritime AS		PROJECT NAME KM-05 / COP-05 PANEL SYSTEM	
						DRAWING TITLE Power and Wiring Diagram CANBUS, KIT KM05	
						DRAWING NO. 303683	
						1 of 1	
IB	16.10.16	Wiring for only one OS	NDH	JKS	NDH	- at A3	DB
IA	15.15.16	First Issue	NDH	EB	NDH	SCALE SIZE	
REV.	DATE	REASON FOR ISSUE	PREP.	CHECK.	APPR.	DRAWING ID. 313683B_1.dwg	