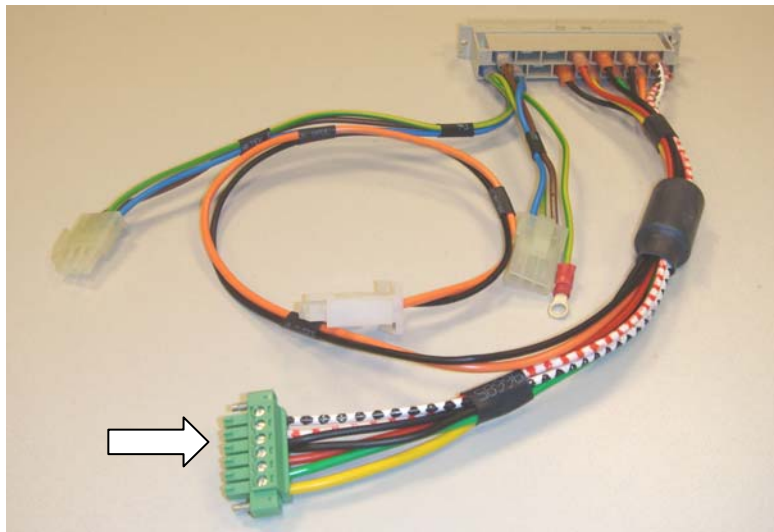


Cable loom with plug with screw connection

It has appeared that some Antenna Units still may suffer from resetting of the Antenna Unit Processing (AUP) board due to voltage drops in the +5 VDC supply voltage applied to the Antenna Unit's Interconnection Board A5ICB. This despite earlier measures taken to avoid this:

- The modification of the DC power supply type A5PS to increase its +5 VDC output voltage to at least 5.15 V. See Engineering Note EN5-10.
- The replacement of the 6-way connector on the Interconnection Board A5ICB by a better quality connector and providing the cable loom from the DC power supply A5PS with a mating plug. See Engineering Note EN5-12.

An additional measure is the replacement of the 6-way plug on the cable loom from the DC power supply A5PS to the Interconnection Board A5ICB by the same type of plug with a wire screw connection. See photo below. The current plug has a spring loaded wire connection. Tests in the CHL laboratory, the Reson workshop and experience in the field by Reson have shown that this measure is effective. With this type of plug fitted no more voltage drops in the +5 VDC supply to the Interconnection Board A5ICB were observed over an extended period of time.



Cable loom with a 6-way plug with screw connection

Note:

The photo shows that the two black ground wires of the cable loom are joined and connected to pin 4 of the 6-way plug. For earlier delivered cable looms these two black wires were joined at and connected to pins 14 and 20 of the 15-way plug to the DC power supply A5PS. This is not part of the modification described in this Engineering Note.

From serial number 10-02128 the Artemis MK5 Antenna Unit is standard fitted with a cable loom with a 6-way plug with screw connection.

For earlier delivered Antenna Units 6-way plugs with screw connection are available at no charge from our sales and service agent Reson B.V.

Replacement of the 6-way plug with spring loaded wire connection by the screw connection type plug can be carried out in the field.

Distribution

CHL NETHERLANDS B.V. : Production, Engineering, Sales, Documentation

Reson B.V. : Technical Department, Sales

Other : [All Artemis MK5 users (through Reson B.V.)]