

SpotTrack prism cluster



KONGSBERG

Quick installation guide

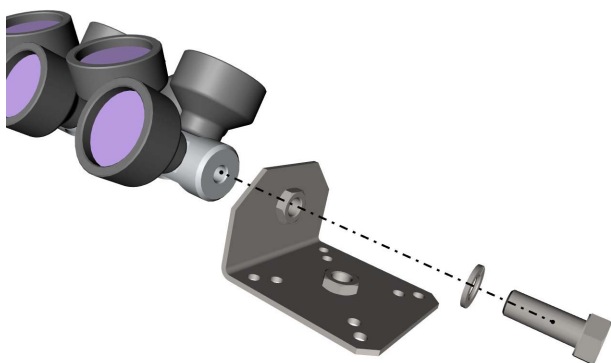
Installing the SpotTrack prism cluster

The SpotTrack prism cluster is delivered in a suitcase consisting of:

- The prism cluster
- The mounting bracket
- An M16 x 35 screw with washers
- A U-bolt kit with screws and washers

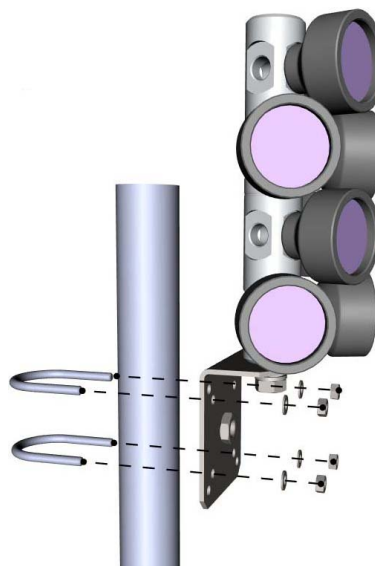
Procedure

- 1 Attach the mounting bracket to the prism cluster using the provided M16 x 35 screw.

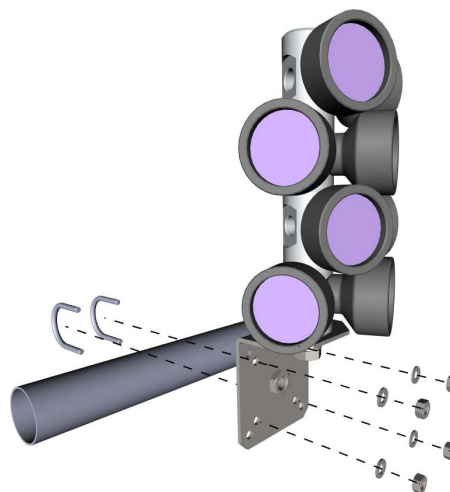


- 2 Attach the prism cluster with the mounting bracket to a mast or rail with the provided U-bolts.

Mast mounting



Rail mounting



- 3 Remove the protection caps from the prisms prior to use.

Storage

Keep the transportation suitcase for storage, transportation or return purposes. Store the prisms with the protection cap on.