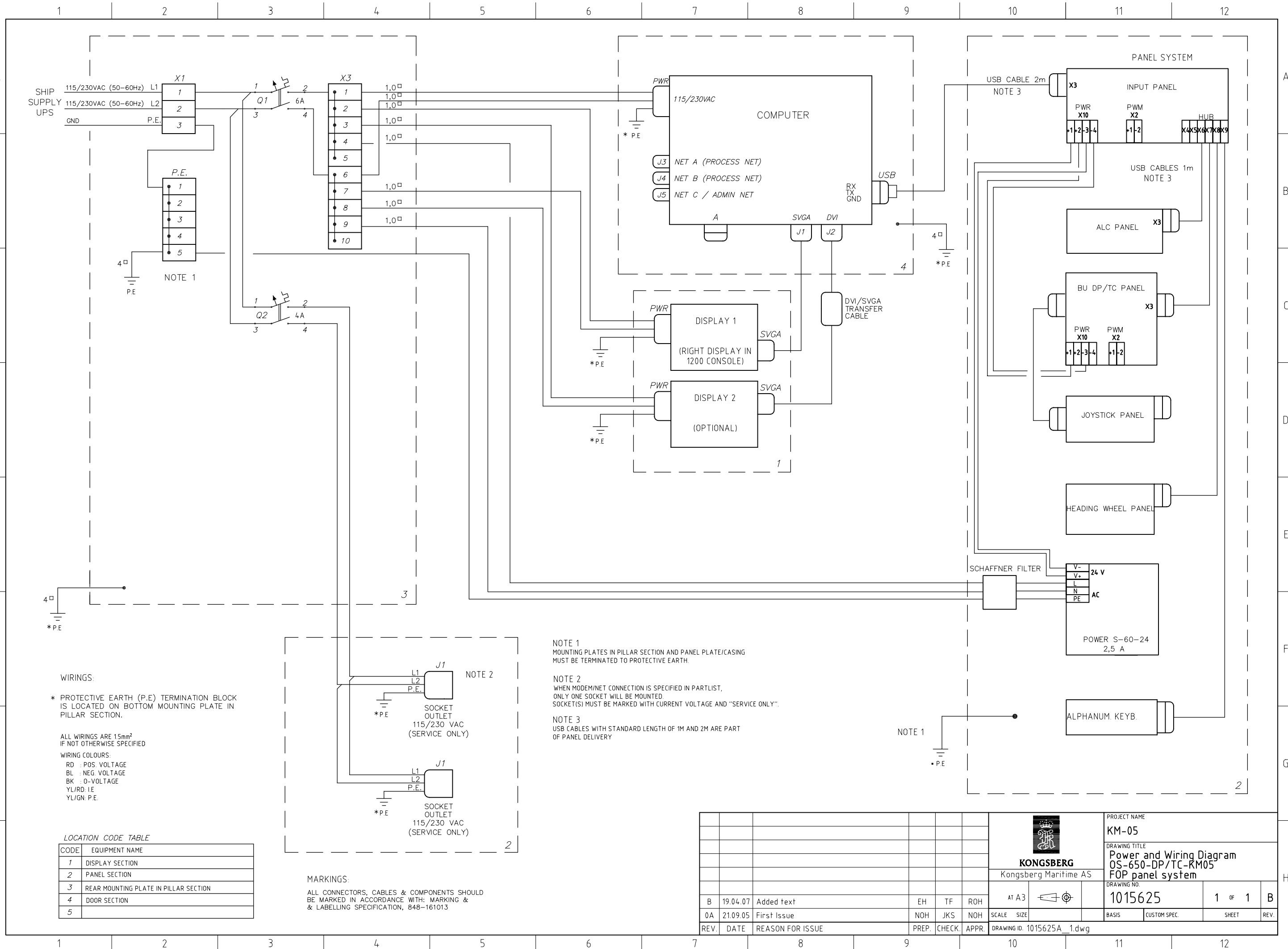


The copyright of this drawing and of all annexes which are entrusted to a person's care always remain the property of Kongsberg Maritime AS. They must not be copied or duplicated nor shown to or placed at the disposal of third persons without our written consent.



WIRINGS:

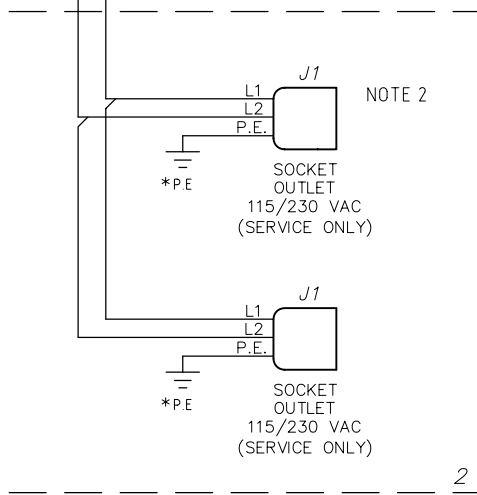
* PROTECTIVE EARTH (P.E.) TERMINATION BLOCK IS LOCATED ON BOTTOM MOUNTING PLATE IN PILLAR SECTION.

ALL WIRINGS ARE 1.5mm² IF NOT OTHERWISE SPECIFIED

WIRING COLOURS:
 RD - POS. VOLTAGE
 BL - NEG. VOLTAGE
 BK - 0-VOLTAGE
 YL/RD - IE
 YL/GN - P.E.

LOCATION CODE TABLE

CODE	EQUIPMENT NAME
1	DISPLAY SECTION
2	PANEL SECTION
3	REAR MOUNTING PLATE IN PILLAR SECTION
4	DOOR SECTION
5	



MARKINGS:

ALL CONNECTORS, CABLES & COMPONENTS SHOULD BE MARKED IN ACCORDANCE WITH: MARKING & LABELLING SPECIFICATION, 848-161013

- NOTE 1**
MOUNTING PLATES IN PILLAR SECTION AND PANEL PLATE/CASING MUST BE TERMINATED TO PROTECTIVE EARTH.
- NOTE 2**
WHEN MODEM/NET CONNECTION IS SPECIFIED IN PARTLIST, ONLY ONE SOCKET WILL BE MOUNTED. SOCKET(S) MUST BE MARKED WITH CURRENT VOLTAGE AND "SERVICE ONLY".
- NOTE 3**
USB CABLES WITH STANDARD LENGTH OF 1M AND 2M ARE PART OF PANEL DELIVERY

			 Kongsberg Maritime AS			PROJECT NAME					
						KM-05					
						DRAWING TITLE					
						Power and Wiring Diagram OS-650-DP/TC-KM05 FOP panel system					
						DRAWING NO.					
						1015625					
						1 OF 1					
						B					
REV.	DATE	REASON FOR ISSUE	PREP.	CHECK.	APPR.	DRAWING ID.	1015625A_1.dwg				
B	19.04.07	Added text	EH	TF	ROH	AT A3					
0A	21.09.05	First Issue	NOH	JKS	NOH	SCALE	SIZE	BASIS	CUSTOM SPEC.	SHEET	REV.